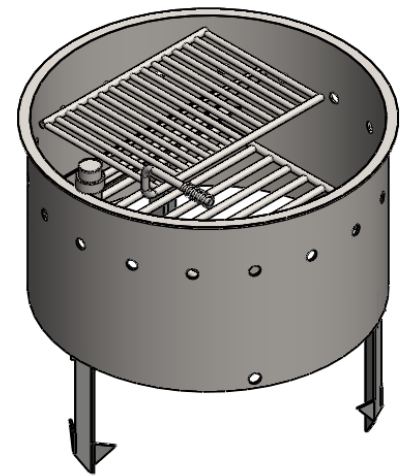
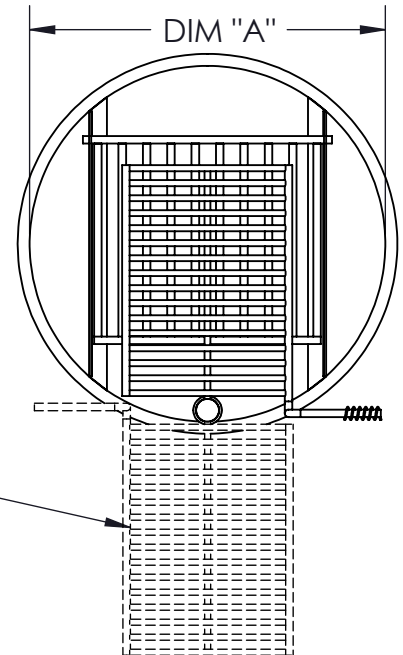
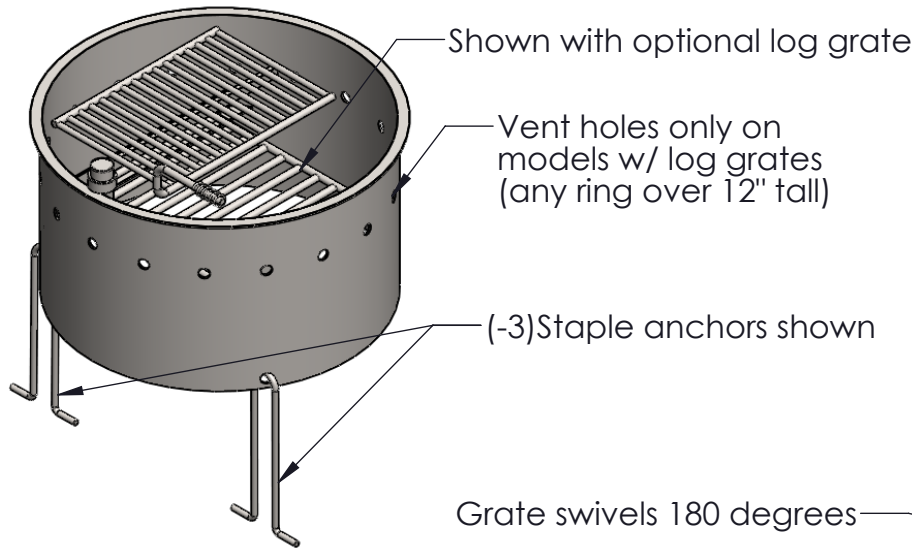


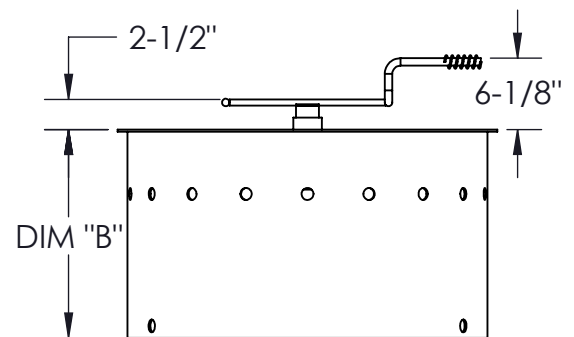
BASE PART NO.	DIM "A"	DIM "B"
14330-1	24"	7-3/8"
14330-2	30"	7-3/8"
14330-3	30"	9"
14330-4	30"	11-3/8"
14330-5	46"	7-3/8"
14330-6	46"	9"
14330-7	46"	11-3/8"
14330-8	54"	7-3/8"
14330-9	54"	9"
14330-10	54"	11-3/8"
14331-1	24-5/8"	17-1/8"
14331-2	30"	17-3/8"
14331-3	30"	23-3/8"
14331-4	26-3/8"	17-3/8"



(-2) Spade anchor option



- Meets ADA guidelines & uses less than five pounds of force to move the grate.
- Hinged log grate (optional) is constructed of 5/8" A36 steel bar.
- Cooking grate is constructed from 1/2" dia. A36 steel bars located on 1-1/8" center, with a cooking area of 270 square inches.
- Grate handle (never over the fire) is constructed from 5/8" dia. A36 steel bar with stay cool spring grips suitable for public use.
- Fire ring is constructed of 7 gauge steel with a 1" flange.
- All joints are continuously welded.
- All exposed corners are chamfered for safety.
- Standard finish is a non-toxic black powder coat.
- The second dash in the above chart stands for the following: -1=staples, -2=spade anchors, -3=staple anchors(as shown)



WARNING: MUST BE PERMANENTLY MOUNTED

CUSTOMER APPROVAL :

DATE :

JAMESTOWN
ADVANCED
PRODUCTS
CORPORATION

THIS DRAWING, WHICH CONTAINS PROPRIETARY INFORMATION, IS THE PROPERTY OF JAMESTOWN ADVANCED PRODUCTS CORPORATION. IT SHALL NOT BE REPRODUCED IN ANY MANNER NOR DISCLOSED TO THIRD PARTIES WITHOUT WRITTEN PERMISSION OF JAMESTOWN ADVANCED PRODUCTS CORPORATION.

DATE : 9/27/10

PRODUCT PART NUMBER : 14330 & 14331

REV. NO. 3 12/10/15

PRODUCT DESCRIPTION :

FIRE RING W/ SWIVEL GRATE

2855 GIRTS ROAD
JAMESTOWN, NY 14701

PHONE 800-452-0639 -- FAX 716-483-5398 -- WWW.JAMESTOWNADVANCED.COM